



Catalogue
FOOD SERVICE
Chapter
DISHWASHING

Specific model
CCO-160 L CW 400V 3N 50Hz

19048231

09/11/2021

DENOMINATION:

Compact rack conveyor 160 racks/hour with entrance from the left for cold water

DESCRIPTION :

- All the main parts are manufactured in AISI-304 anti-corrosion stainless steel: tanks, washing and rinsing arms, rinsing jets, doors, basket conveyance system, boiler and metal tubes.
 - Upwards-opening double panel door.
 - Tank tray filters made of AISI-304 stainless steel, easy to access and remove for cleaning and access to the tank.
 - Safety filter for pump suction.
 - Rinsing boiler with heat insulation.
 - Easy access for installation. Electrovalve located on one side (no need to remove panels to connect the machine).
 - Electrical panel designed for easy connection of dosers for liquid and solid detergents, rinse aid, limit switches, supplementary emergency stop button.
 - Washing arms easily removable as a set, for cleaning, with a plug on each branch providing access for cleaning inside.
 - Rinse jets easily dismountable and removable.
 - System of electronic regulation of speeds by means of frequency shifter.
 - Configurable electronic temperature control:
 - Wash (50 - 65 °C)
 - Rinse (70 - 85 °C)
 - Guarantee of rinse at 85 °C.
 - Pressure regulator for flow control.
 - Emergency stop button incorporated.
 - Extra anti-entrapment protection system at the entrance, mounted on the AS-260 splash guard supplement (optional).
 - Open door blocking system.
 - IPX4 protection system.
 - System for detection of blockage of conveyor carriage and automatic reverse function.
 - Energy-saving system: reduces consumption by halting operation of the pumps, and by passing the heating of the rinse to stand-by mode (70 °C).
 - Auto-timer which deactivates the conveyor motor after a pre-set period of inactivity (10 minutes)."
 - "- High-power washing system with 4 upper and 4 lower washing branches.
 - Double effect rinse."
- Entry through the left part of the machine.
 CW: Model prepared for connection with cold water from the network (input temperature <math>< < < > 50 > > < < < > ></math> °C.).

POSSIBLE OPTIONS :

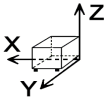
- Electric transformation to 230V three-phase without neutral (230V 3 ~)
- Electric transformation to marine version (440V 3~ 60 Hz.)
- Drying tunnel
- Anti-splash guard supplement (enter)
- Conveyor recovery system
- Anti-splash guard supplement (exit)

POSSIBLE ACCESSORIES :

- BASKETS
- MODIFIERS ELEMENTS



DIMENSIONS



| | | | |
|------------|----------|----------------|----------|
| X Width | 1180 mm | X Gross width | 1530 mm |
| Y Depth | 790 mm | Y Gross depth | 955 mm |
| Z Height | 1560 mm | Z Gross height | 1950 mm |
| Net Weight | 211,0 kg | Gross Weight | 306,0 kg |
| Net volume | 2,225 m3 | Gross volume | 2,849 m3 |

ELECTRICITY TECHNICAL SPECIFICATIONS

| | |
|--------------------|-----------|
| Engine power | 1,40 kW |
| Electric power | 31,600 kW |
| Amperage (A) | 51,3 |
| Heating power | 30,00 kW |
| Voltage | 400V - 3N |
| Electric frequency | 50Hz |

WATER TECHNICAL SPECIFICATIONS

| | |
|-----------------------|-------------------------|
| Pressure | H2O: 200-400kPa(2-4bar) |
| Water max consumption | 240,00 L/h |

CONNECTIONS TECHNICAL SPECIFICATIONS

| | |
|----------------------------|----------------|
| 230 V three-phase wiring | 3X25+T - 100 A |
| Three-phase +N 400V wiring | 4X16+T - 80 A |
| Drain 1 diameter | 38 |



Catalogue
FOOD SERVICE

Capítulo
DISHWASHING

Modelo
CCO-160 L CW 400V 3N 50Hz

19048231

09/11/2021

- ENTRY-EXIT TABLES
- BASKETS FOR DISHWASHERS
- BASKETS FOR GLASSES

SUPPLIED ACCESSORIES:

- 19000484 Standard basket 2
- 19000487 Basket for 16/18 dishes 2
- 19000488 Baskets for 16 glasses and cups with 110 mm diameter and 105 mm height 1
- 19036306 Standard basket with dense base 1



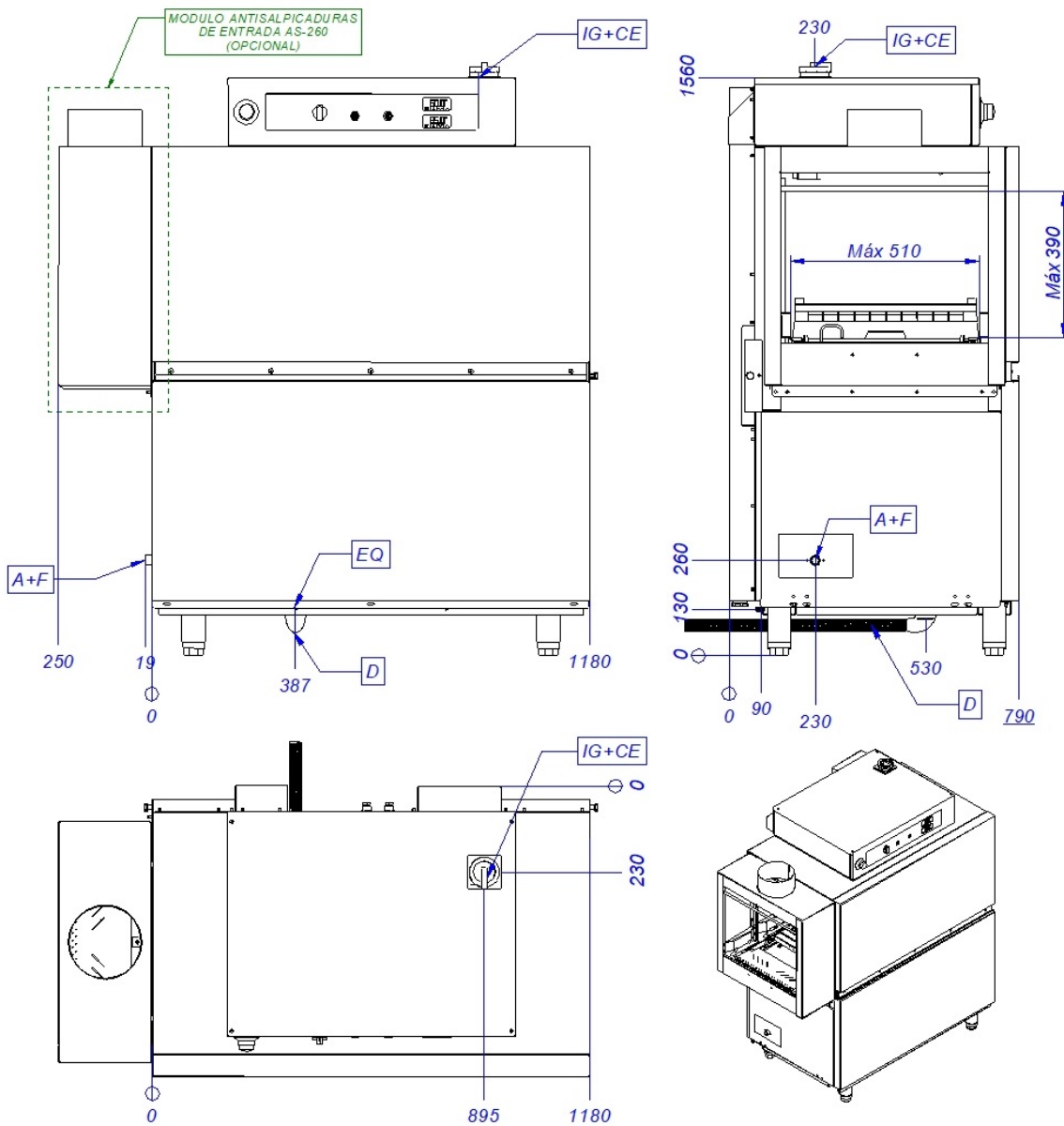
Catalogue
FOOD SERVICE

Capítulo
DISHWASHING

Modelo
CCO-160 L CW 400V 3N 50Hz

19048231

09/11/2021



| | | | |
|-----|--------------------------|--------------------------------|---------------------------|
| A+F | Entrada de agua + filtro | Water inlet & filter | Arrivée d'eau et filtrer |
| CE | Alimentación eléctrica | Power supply | Connexion électrique |
| D | Desagüe | Drain | Vindage |
| EQ | Toma equipotencial | Equipotential bonding terminal | Connexion Équipotentielle |
| IG | Interruptor general | General switch | Interrupteur général |